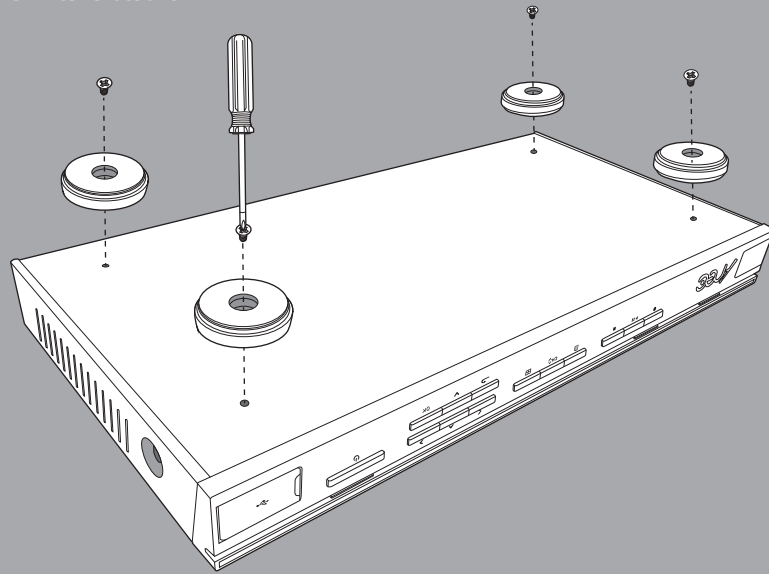


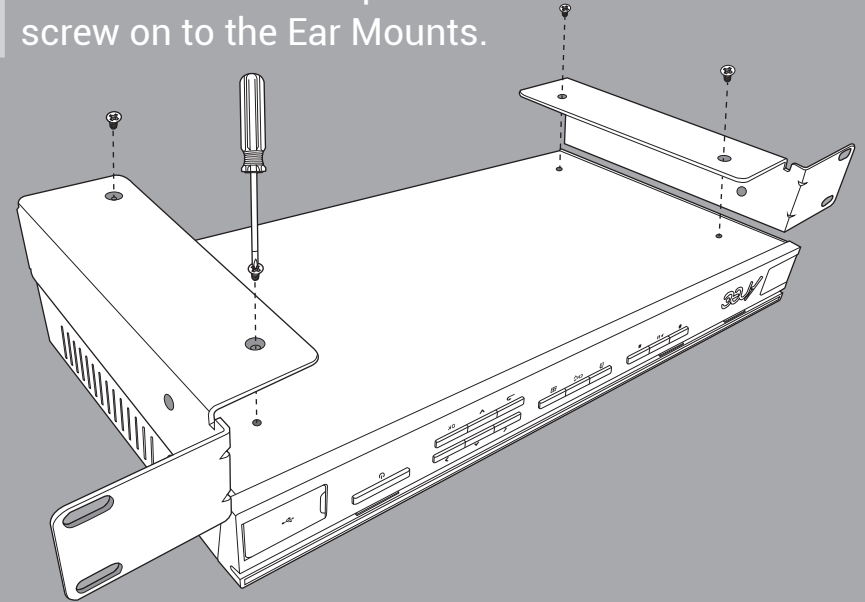
1

Remove 4 anti-slip stud from the bottom of Media Station



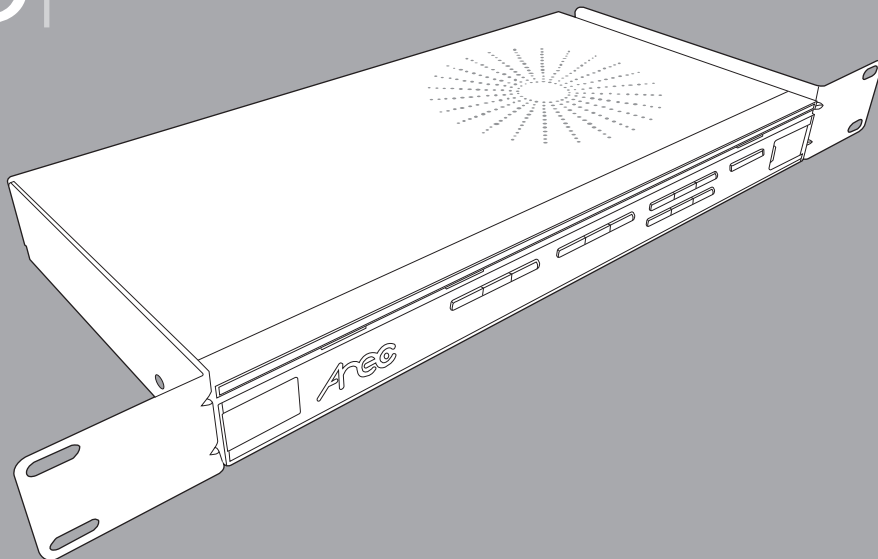
2

Put on Ear Mounts on the bottom of Media Station and screw 4 pieces of 6mm flat head screw on to the Ear Mounts.



3

Then you are ready to secure the Media Station with the bracket on to the rack.



Media Station Rack Bracket Assembly Instructions

Component List :

1. 19 inches ear mounts :
 - Left ear mount
 - Right ear mount
2. Flat Head Screw for Media Station :
 - 6mm Flat Head Screw*4
3. M5 screw for rank secure :
 - M5 screw* 6
 - M5 Nut* 6